











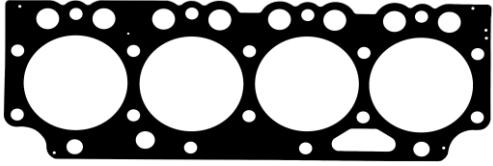
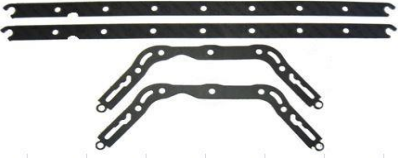
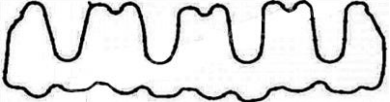


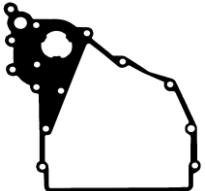











 <b>DEUTZ MODEL</b>	Takım conta Gaskets set Pochettes de joints Dichtungssatze 	Silindir kapak contası Cylinder head gaskets Joint de culasse Zylinderkopf 	Emme manifold Contası Intake Manifold Collect. d'admission Ansaugkrümmer 	Egzos manifold contası Exhaust manifold Collect. d'echappement Auspuffkrümmer 	Egzos boğaz contası Exhaust pipe Tuyau d'echappement Auspuffrohr 	Supap kapak contası Rocker cover Cache-culbuteurs Zylinderkopfhaube 
<b>TCD 2013 L4 2V</b>  <b>4 Cyl. 119 Ø</b>	<b>S-514 200</b> 029 317 63 <b>ES-514 201</b> <b>CS-514 202</b>  <b>S-514 900</b> <b>ES-514 901</b> <b>CS-514 202</b>  <b>S-515 400</b> <b>ES-515 401</b> <b>CS-514 202</b>	<b>514 205</b> 0429 2652 0429 5251 1,53 mm MLS 119 Ø  <b>514 905</b> 0429 2653 1,63 mm MLS 119 Ø  <b>515 405</b> 1,73 mm MLS 119 Ø	<b>504 311</b> 042 000 95 2x	<b>508 114</b> 042 928 20 4x		<b>514 207</b> 042 914 68

<p>Karter Oil pan Carter d'huile Olwanne</p> 	<p>Supap lastığı Valve stem Queue de soupape Ventilschaft</p> 	<p>Krank keçesi Crankshaft Vilebrequin Kurbelwelle</p> 	<p>Silindir kapak saplaması Screw set Pochette de vis Schraubensatz</p>	<p>SUITABLE TO: ADAPTABLE A: ADAPTABLE A: PASSEND FÜR:</p>   
<p><b>504 306</b> 042 044 58</p>		<p><b>504 350</b> 81x104x11 042 022 60 <b>284 750</b> 130x150x13 042 023 32</p>		 <p>MLS (five sheets) 514 205</p>  <p>paper 504 306</p>  <p>ACM 514 207</p>  <p>2x with rubber sheet 504 311</p>  <p>4x sheet (coated with rubber) 508 114</p>  <p>paper 504 304</p>  <p>paper 504 316</p>  <p>sheet 504 329</p>  <p>paper 508 135</p>  <p>paper 514 211</p>  <p>3x aluminium-rubber 506 222</p>  <p>2x paper 504 312</p>  <p>paper 504 332</p>  <p>paper 514 210</p>  <p>2x sheet-rubber 514 212</p>  <p>paper 514 222</p>  <p>NBR 286 829</p>