

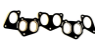



 FORD MODEL	Takım conta Gaskets set Pochettes de joints Dichtungssätze 	Silindir kapak contası Cylinder head gaskets Joint de culasse Zylinderkopf 	Emme manifold Contası Intake Manifold Collect. d'admission Ansaugkrümmer 	Egzos manifold contası Exhaust manifold Collect. d'echappement Auspuffkrümmer 	Egzos boğaz contası Exhaust pipe Tuyau d'echappement Auspuffrohr 	Supap kapak contası Rocker cover Cache-culbuteurs Zylinderkopfhaube 
Transit 80-100-100L 1984→ Transit 120-130L Transit 160-160L- 175-190-L 2496 cc 98Ps Diesel Inyeccion directa Mot. D24 / 4AA Mot. 4 CA / 4 BC 4EA, 4EB, 4EC, 4ED 4GA, 4GB, 4GC, 4GD 4GE, 4GF, 4HA, 4HD 55-85 Kw (74-116 PS) 05/91-12/00 1989-1991 4 Cyl. OHC 93,6 Ø	S-013 100 6130578 ES-013 101 6130581 CS-013 102 6130580	013 105 844F6051B1B 6138070 95,8 Ø	013 113 6 525 815 894F9461AB	013 114 1 056 838 6 193 676 914F9448AA 4x		013 107 6094666 844F6584AA


























S:Takim-Vollsatz-Full Set-Pochette Complete-Juego Complete

W:FullSet Without CylinderHead Gasket

ES:Üst Takım-Zylinderkopfsätze-Head Sets-Pochette Rodage

CS:Alt Takım-Conversionsätze-Conversion Sets-Pochettes De Complement-Juegos Uplementarios

ES+CS:S

<p>Karter Oil pan Carter d'huile Olwanne</p> 	<p>Supap lastığı Valve stem Queue de soupape Ventilschaft</p> 	<p>Krank keçesi Crankshaft Vilebrequin Kurbelwelle</p> 	<p>Silindir kapak saptaması Screw set Pochette de vis Schraubensatz</p>	<p>SUITABLE TO: ADAPTABLE A: ADAPTABLE A: PASSEND FÜR:</p>   
<p>013 106 1631289</p>	<p>013 160 6 597 036 924F6571AA 9x23,4/29x14,5 8x</p>	<p>013 150 6 182 959 844F6571A2A 66,67x85,72x9,52 013 151 6 182 960 1 087 565 894F6701AD 79x99x9,6 013 152 6 182 957 894F6L27AA 47,62x66,67x11,1</p>		 <p>sandwich klingerit 013 105</p>  <p>paper 013 106</p>  <p>cork 013 107</p>  <p>sandwich klingerit 013 113</p>  <p>stainless 013 114 4x</p>  <p>paper 013 125</p>  <p>paper-silicon 013 123</p>  <p>paper 013 124</p>  <p>stainless 013 117</p>  <p>paper-silicon 013 126</p>  <p>sheet 013 127</p>  <p>paper 013 128</p>  <p>paper 013 130</p>  <p>paper 013 116</p>  <p>paper 013 118</p>  <p>paper 013 119</p>  <p>paper 013 120</p>  <p>paper 013 122</p>  <p>paper 013 129</p>