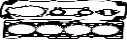








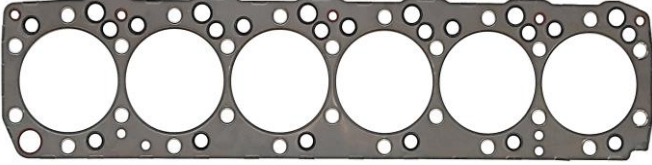














 IVECO MODEL	Takım conta Gaskets set Pochettes de joints Dichtungssätze 	Silindir kapak contası Cylinder head gaskets Joint de culasse Zylinderkopf 	Emme manifold Contası Intake Manifold Collect. d'admission Ansaugkrümmer 	Egzos manifold contası Exhaust manifold Collect. d'echappement Auspuffkrümmer 	Egzos boğaz contası Exhaust pipe Tuyau d'echappement Auspuffrohr 	Supap kapak contası Rocker cover Cache-culbuteurs Zylinderkopfhaube 
F2CFE611-E6 CURSOR 9 STRALIS 190S31/33/36/40 260S31/33/36/40 440S33/36/40 EUOTRAKKER 190T31/33/36-260T33/36 340T36-380T36 Turbo Intercooler - 8700 cc 6Cyl. 117 Ø	S-085 300 8094890 ES-085 301 500055525 CS-085 302	086 005 500382172 504248307 504385500	085 025 504375264 504026624 2x	086 014 98495010 504 154 202 6x		086 007 99446692

Karter Oil pan Carter d'huile Ölwanne	Supap lastığı Valve stem Queue de soupape Ventilschaft	Krank keçesi Crankshaft Vilebrequin Kurbelwelle	Gömlek lastığı Cylinder liner Chemise de cylindre Zylinderlaufbüchse	SUITABLE TO: ADAPTABLE A: ADAPTABLE A: PASSEND FÜR:   
085 306 5801541760 504346309 504125918	210 360 859 171 8x12/15,4x9,5 24x	085 250 40102693 504244493 130x160x14/13 086 050 504042684 88x123x13/15 085 350 504050244 32x45x7 210 351 1 544 710 52,7x67,6x6,4 085 050 34x44x6,35	086 040 sealing ring set 086 041 122x3,53 FKM (brown) 6x 086 042 122x3,53 FKM (black) 12x	 <p>stainless - rubber 086 005</p>  <p>rubber 085 306</p>  <p>rubber 086 007</p>  <p>6x sandwich klingerit 086 014</p>  <p>stainless 085 017</p>  <p>2x stainless 085 025</p>  <p>with rubber sheet 086 023</p>  <p>with rubber sheet 085 310</p>  <p>329,57x5,33 FKM 085 313</p>  <p>with rubber sheet 085 311</p>  <p>with rubber sheet 086 024</p>  <p>paper 085 225</p>  <p>with rubber sheet 085 312</p>  <p>paper 085 226</p>  <p>FKM 087 327</p>