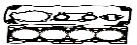





 PEUGEOT MODEL	Takım conta Gaskets set Pochettes de joints Dichtungssätze 	Silindir kapak contası Cylinder head gaskets Joint de culasse Zylinderkopf 	Emme manifold Contası Intake Manifold Collect. d'admission Ansaugkrümmer 	Egzos manifold contası Exhaust manifold Collect. d'echappement Auspuffkrümmer 	Egzos bğaz contası Exhaust pipe Tuyau d'echappement Auspuffrohr 	Supap kapak contası Rocker cover Cache-culbuteurs Zylinderkopphaube 
1.4 Ltr. 16 V Mot. KFU (ET3J4) 1007 1.4 16 V 10/2005 206 1.4 16 V 10/2003 207 1.4 16 V 02/2006 307 1.4 16 V 11/2003 206 SW 16 V 307 SW 16 V 65 Kw (88 PS) 1360 ccm 4Cyl. 75,0 Ø	S-097 100 50255900 ES-097 101 505.300 52236600 CS-097 102 54139900	097 105 0209.FL 76 Ø 1,4 mm	097 113 0348.S1 4x	097 114 0349.J4 0349.L3	097 121 1709.33	097 107 0249.C4 0249.E2 left 097 108 0249.C5 right













S:Takim-Vollsatz-Full Set-Pochette Complete-Juego Complete

W:FullSet Without CylinderHead Gasket

ES:Üst Takim-Zylinderkopfsätze-Head Sets-Pochette Rodage

CS:Alt Takim-Conversionsätze-Conversion Sets-Pochettes De Complement-Juegos Uplementarios

ES+CS:S

Karter Oil pan Carter d'huile Olwanne	Supap lastığı Valve stem Queue de soupape Ventilschaft	Krank keçesi Crankshaft Vilebrequin Kurbelwelle	Silindir kapak saptaması Screw set Pochette de vis Schraubensatz	SUITABLE TO: ADAPTABLE A: ADAPTABLE A: PASSEND FÜR:   
	097 160 0956.52 5,5x21,6/10,2x15,5 16x	096 950 0514.74 85x105x8 097 150 0514.A3 42x66x7 097 151 0807.32 36x50x8 097 152 0807.33 24x50x8		 <p>sandwich klingerit-silicon 097 105</p>  <p>plastic-rubber (left) 097 107</p>  <p>plastic-rubber (right) 097 108</p>  <p>sandwich klingerit 097 114</p>  <p>sheet (two sheets) 097 121</p>  <p>66x64/60x5 mm silicon 097 117</p>  <p>53x49x5 mm silicon 097 113</p> <p>4x</p>  <p>18,5x16,5/13x4,4 mm silicon 097 118</p>