
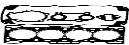




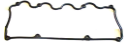


|  CITROEN MODEL | Takım conta Gaskets set Pochettes de joints Dichtungssätze  | Silindir kapak contası Cylinder head gaskets Joint de culasse Zylinderkopf  | Emme manifold Contası Intake Manifold Collect. d'admission Ansaugkrümmer  | Egzos manifold contası Exhaust manifold Collect. d'echappement Auspuffkrümmer  | Egzos bğaz contası Exhaust pipe Tuyau d'echappement Auspuffrohr  | Supap kapak contası Rocker cover Cache-culbuteurs Zylinderkopphaube  |
|-------------------------------------------------------------------------------------------------------------------------------------------------------------------------------------------------------------------|-------------------------------------------------------------------------------------------------------------------------------------------------------|-----------------------------------------------------------------------------------------------------------------------------------------------------------------------|---------------------------------------------------------------------------------------------------------------------------------------------------------------------|---------------------------------------------------------------------------------------------------------------------------------------------------------------------------|--------------------------------------------------------------------------------------------------------------------------------------------------------------|------------------------------------------------------------------------------------------------------------------------------------------------------------------|
| 1.4 Ltr. 16 V Mot. KFU (ET3J4) C2 1.4 16 V 06/2006 C3 1.4 16 V 12/2003 C4 1.4 16 V 11/2004 65 Kw (90 PS) 1360 ccm 4Cyl. 75,0 Ø | S-097 100 50255900 ES-097 101 505.300 52236600 CS-097 102 54139900 | 097 105 0209.FL 76 Ø 1,4 mm | 097 113 0348.S1 4x | 097 114 0349.J4 0349.L3 | 097 121 1709.33 | 097 107 0249.C4 0249.E2 left 097 108 0249.C5 right |















S:Takim-Vollsatz-Full Set-Pochette Complete-Juego Complete

W:FullSet Without CylinderHead Gasket

ES:Üst Takim-Zylinderkopfsätze-Head Sets-Pochette Rodage

CS:Alt Takim-Conversionsätze-Conversion Sets-Pochettes De Complement-Juegos Uplementarios

ES+CS:S

| <p>Karter Oil pan Carter d'huile Olwanne</p>  | <p>Supap lastığı Valve stem Queue de soupape Ventilschaft</p>  | <p>Krank keçesi Crankshaft Vilebrequin Kurbelwelle</p>  | <p>Silindir kapak saplamaşı Screw set Pochette de vis Schraubensatz</p> | <p>SUITABLE TO: ADAPTABLE A: ADAPTABLE A: PASSEND FÜR:</p>    |
|--------------------------------------------------------------------------------------------------------------------------------------------|-------------------------------------------------------------------------------------------------------------------------------------------------------------|---------------------------------------------------------------------------------------------------------------------------------------------------------------------------------|-------------------------------------------------------------------------------------|-----------------------------------------------------------------------------------------------------------------------------------------------------------------------------------------------------------------------------------------------------------------------------------------------------------------------------------------------------------------------------------------------------------------------------------------------------------------------------------------------------------------------------------------------------------------------------------------------------------------------------------------------------------------------------------------------------------------------------------------------------------------------------------------------------------------------------------------------------------------------------------------------------------------------------------------------------------------------------------------------------------------------------------------------------------------------|
| | <p>097 160 0956.52 5,5x21,6/10,2x15,5 16x</p> | <p>096 950 0514.74 85x105x8 097 150 0514.A3 42x66x7 097 151 0807.32 36x50x8 097 152 0807.33 24x50x8</p> | |  <p>sandwich klingerit-silicon 097 105</p>  <p>plastic-rubber (left) 097 107</p>  <p>plastic-rubber (right) 097 108</p>  <p>sandwich klingerit 097 114</p>  <p>sheet (two sheets) 097 121</p>  <p>66x64/60x5 mm silicon 097 117</p>  <p>53x49x5 mm silicon 097 113</p> <p>4x</p>  <p>18,5x16,5/13x4,4 mm silicon 097 118</p> |